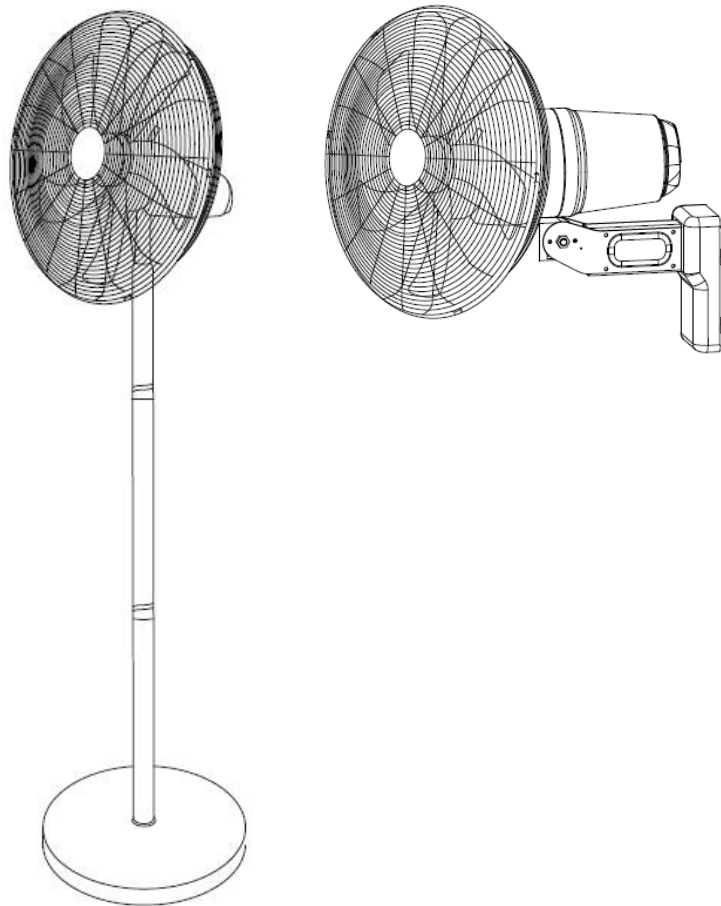


COLORATO

www.colorato.net

INSTRUCTION MANUAL FOR INDUSTRIAL FAN WALL & STAND TYPE



**MODEL: CLF-45SDC
CLF-45WDC**




Read carefully these instructions before using the appliance and keep them for future reference

SPECIFICATIONS

| | |
|-----------------------|---|
| Model | CLF-45SDC, CLF-45WDC |
| Voltage | 220-240 V |
| Frequency | 50 Hz |
| Motor power DC | 40 W (min 4 – max 40 W) |
| Max. speed | 1250 rpm |
| Air volume | 65 m ³ /min |
| Noise level | 5-50 dB |
| Fan speeds | 12 |
| Wind modes | 3: Normal, Natural, Sleep |
| Timer | 1-9 hours |
| Waterproof protection | IP65 |
| Diameter | 45 cm |
| Net weight | CLF-45SDC: 10.60 kg CLF-45WDC: 4.30 kg |

ATTENTION



The symbol  on the product means that at the end of its life, the appliance has not to be considered as a common waste. It is a special waste and has to be demolished in specific recovery and disposal areas, as prescribed by the EC Directive 2002/96/EC (WEEE). By disposing this product correctly, you can avoid negative consequences for the environment and for the human health, due to the presence of potentially dangerous substances in the product.

OPERATION CONDITIONS & SAFETY PRECAUTIONS

WARNING: When using electrical appliances, basic safety precautions should be followed to reduce risk of fire, electric shock and injury to persons and property.

PLUGGING IN OUTSIDE: This fan can only be plugged into a 10 amp waterproof power point which will have a water tight cover- it is never to be plugged into a non-waterproof power point when used outside.

NOTE: Always engage an electrician to install a waterproof power point.

- To avoid hazard due to instability of the appliance, it must be placed on an even, flat surface.
- Do not operate this appliance with a damaged cord or plug after the appliance has been damaged in any manner.
- Before each use, check for any damaged parts and have it replaced or repaired by the manufacturer or a qualified technician.
- Connect to properly grounded outlet only. No other appliances should be plugged into the same outlet.
- Do not run the power cord over heat insulators. Do not cover the cord. Keep the cord away from traffic areas.
- Switch off and unplug the appliance before moving, cleaning or making any repairs or servicing.
- Keep safety guards/grilles in place and do not operate the machine with them removed.

- Do not wear jewellery or loose clothing that could be caught by the rotating blades.
- Never leave the appliance running unattended, turn the power off.

WARNING: Exercise caution and use reasonable supervision when appliance is used near children, to ensure that they do not play with the appliance.

- This appliance is not intended for use by persons (including children) with reduced physical, sensory or mental capabilities, or lack of experience and knowledge.
- Keep the area around the fan clear and suitable distance from objects that may be suctioned into the fan.
- To keep your fan in its best condition and to protect from possible rusting due to moisture in the air, we recommend bringing the fan inside when not in use.

CLEANING: Turn off and wipe fan with a dry cloth to ensure no water remains on the fan and store away in a safe, dry place.

- Placing a cover on it is a great way to store when the fan is not in use, as it prevents the build up of dust.

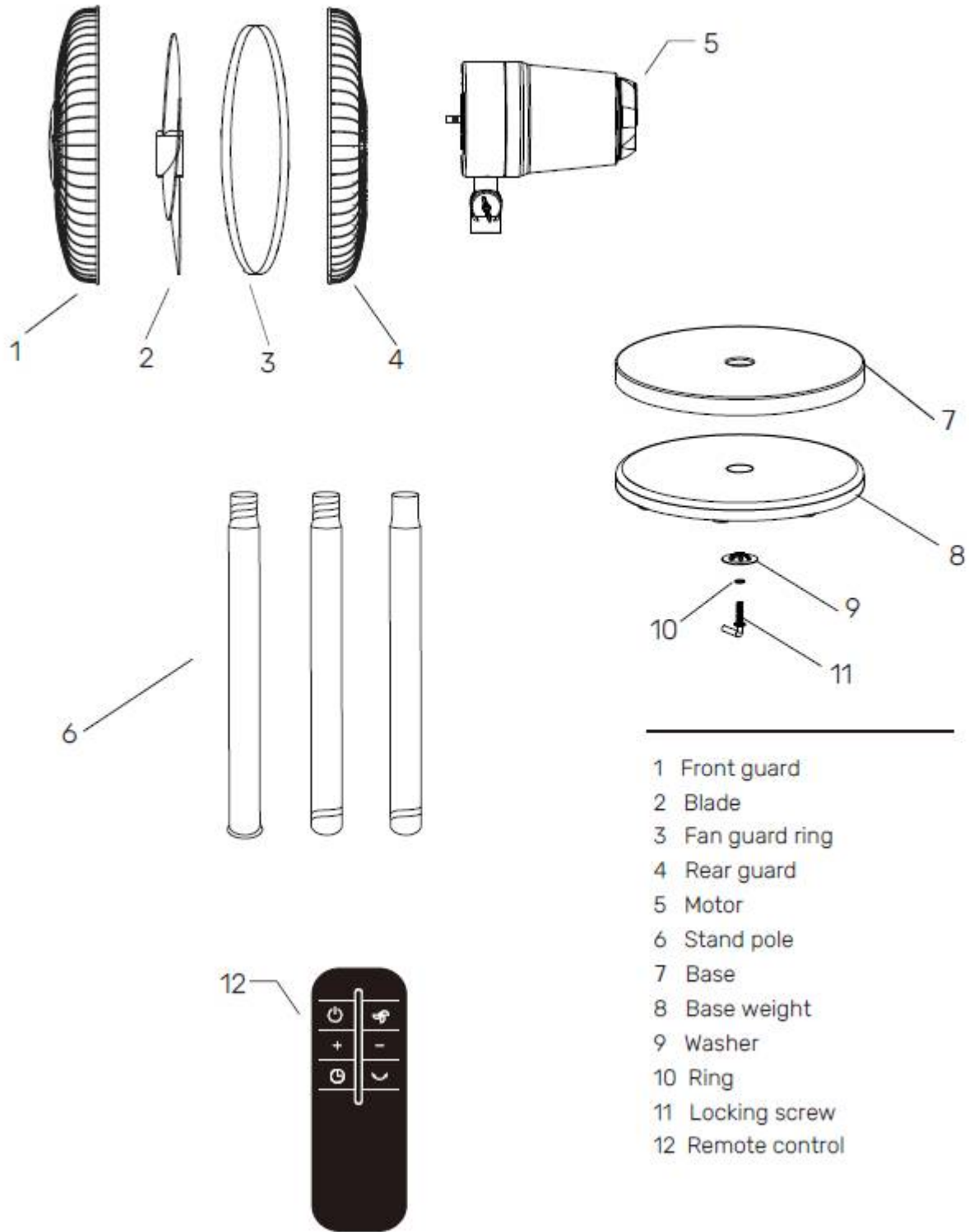
OPERATION CONDITIONS & SAFETY PRECAUTIONS

This fan is IP65 classified, which means it is dust tight and has protection against hosing jets of water from all directions. This fan is not protected from being immersed in water.

See the Ingress Protection (IP) Rating Guide below for more information.

| SOLIDS | WATER |
|---|---|
| 1 Protected against a solid object greater than 50 mm such as a hand. | 1 Protected against vertically falling drops of water. Limited ingress permitted. |
| 2 Protected against a solid object greater than 12.5 mm such as a finger. | 2 Protected against vertically falling drops of water with enclosure tilted up to 15 degrees from the vertical. Limited ingress permitted. |
| 3 Protected against a solid object greater than 2.5 mm such as a screwdriver. | 3 Protected against sprays of water up to 60 degrees from the vertical. Limited ingress permitted for three minutes. |
| 4 Protected against a solid object greater than 1 mm such as a wire. | 4 Protected against water splashed from all directions. Limited ingress permitted. |
| 5 Dust Protected. Limited ingress of dust permitted. Will not interfere with operation of the equipment. Two to eight hours. | 5 Protected against hosing jets of water from all directions. Limited ingress permitted. |
| 6 Dust tight. No ingress of dust. Two to eight hours. | 6 Protected against strong jets of water from all directions. Limited ingress permitted. |
| IP 6 5 | 7 Protected against effects of immersion in water between 15 cm and 1 m for 30 minutes. |
| | 8 Protection against the effects of immersion in water under pressure for long periods. |

PARTS IDENTIFICATION FOR STAND TYPE FAN



- 1 Front guard
- 2 Blade
- 3 Fan guard ring
- 4 Rear guard
- 5 Motor
- 6 Stand pole
- 7 Base
- 8 Base weight
- 9 Washer
- 10 Ring
- 11 Locking screw
- 12 Remote control

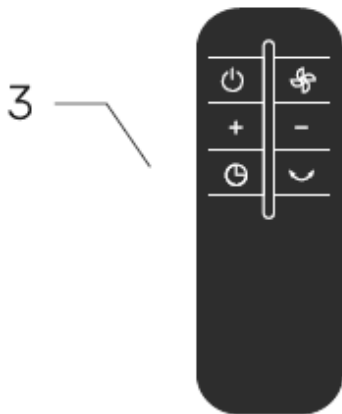
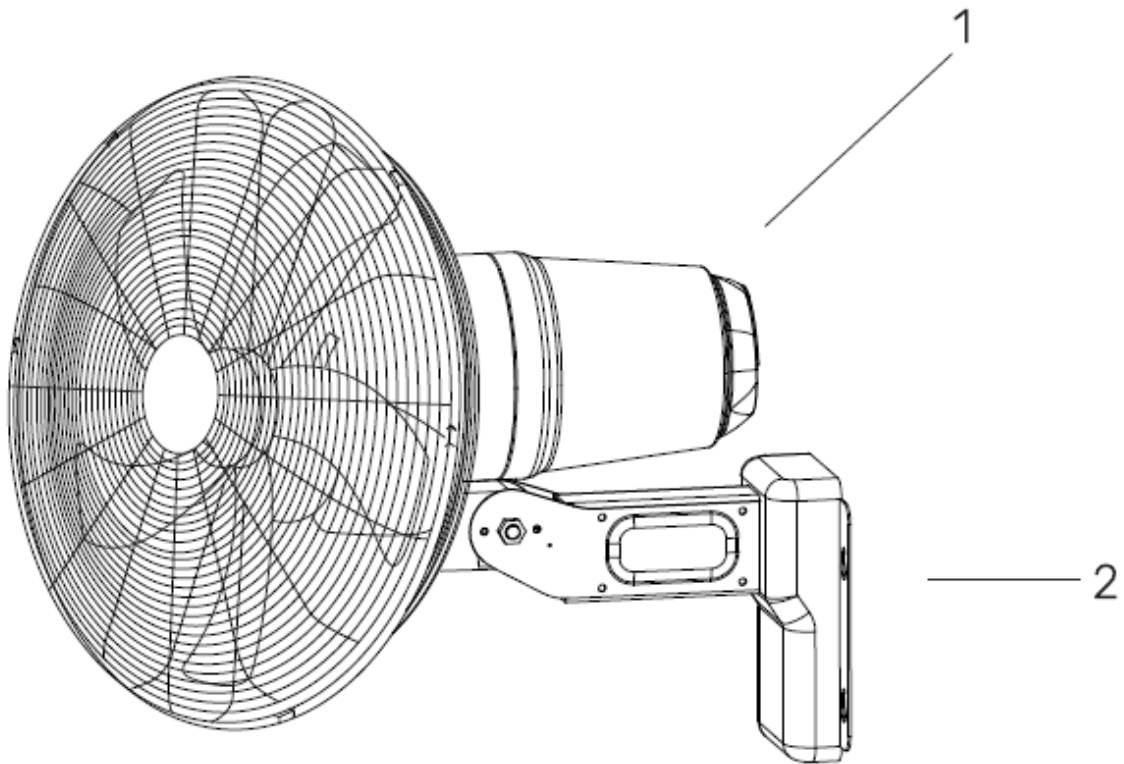
ASSEMBLY & OPERATION FOR STAND TYPE FAN

Assembling the fan

Fan Body & Motor

1. Unpack contents from the box and check all parts are included.
2. Take out the base locking screw, ring and wash pack from the manual bag.
3. Hold the base on its side to insert the bottom of the outer tube into the center of the base.
4. From underneath the base, re-insert the washer, ring and base locking screw.
5. Install the stand pole.
6. Remove the screws from the motor and then attach the rear fan guard using the screws that came with the motor.
7. Screw the blade. Make sure to align the slot and the screw and then install the front guard.
8. Loosen the neck screws on the motor neck and slide it over the inner tube, aligning one of the screws to the hole and re-tighten.

PARTS IDENTIFICATION FOR WALL TYPE FAN



-
- 1 Motor Head
 - 2 Wall Mount Plate
 - 3 Remote Control

ASSEMBLY & OPERATION FOR WALL TYPE FAN

Tools required

Drill



Assembling the fan

1. Locate the bag that contains the wall mounting hardware.

2. Select location to place it on the wall.

NOTE: Ensure power supply is nearby and power cord is not too tight or in a position to interfere with oscillation function.

3. Ensure the wall is suitable to support the fan:

- If mounting to a plastered wall, then the wall mount must be fitted to a stud behind the plaster wall using the screws provided.

- If mounting to a brick or masonry wall, ensure plugs and screws used are suitable.

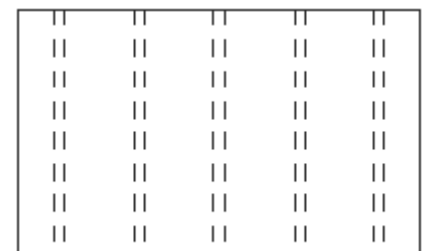
- Suitable fixings must be used and must support a minimum of 8.5 kg. Always check the suitability of plugs and screws for installation before use.

NOTE: The fan must be mounted vertically.

TIP: To assist in mounting the fan, a wall mounting drilling diagram is provided on the

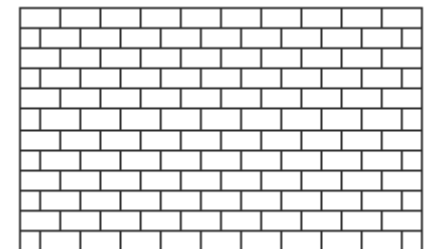
last page of this manual. Pre-drilling and fixing the mounting screws can be performed without having to hold the fan in place.

PLASTER



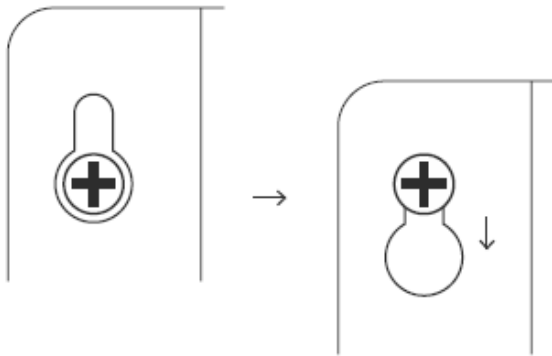
STUDS

BRCK/
MASONRY

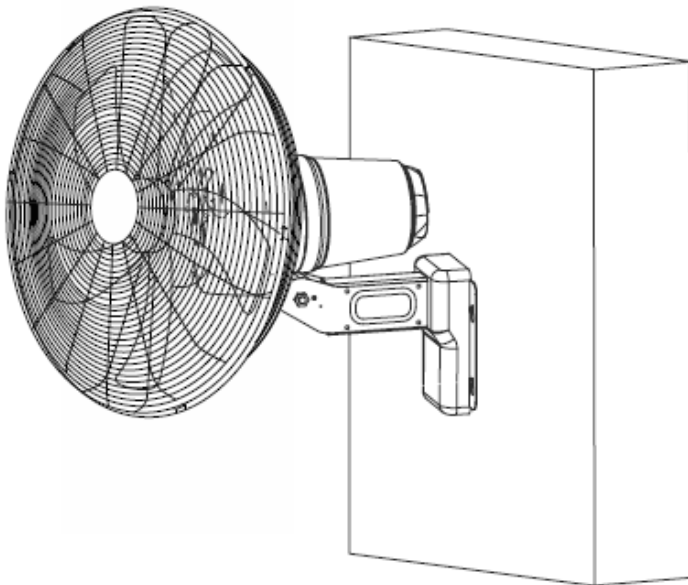


Assembling the fan cont.

- Using the wall mounting diagram on the last page of the manual, insert the 4 screws into the wall to a depth of approx 4cm, leaving some of the screw out from the wall. Then mount the wall fan plate over the remaining screw area and slide down until safely in place. Finally, tighten the screws so the wall fan is securely on the wall.



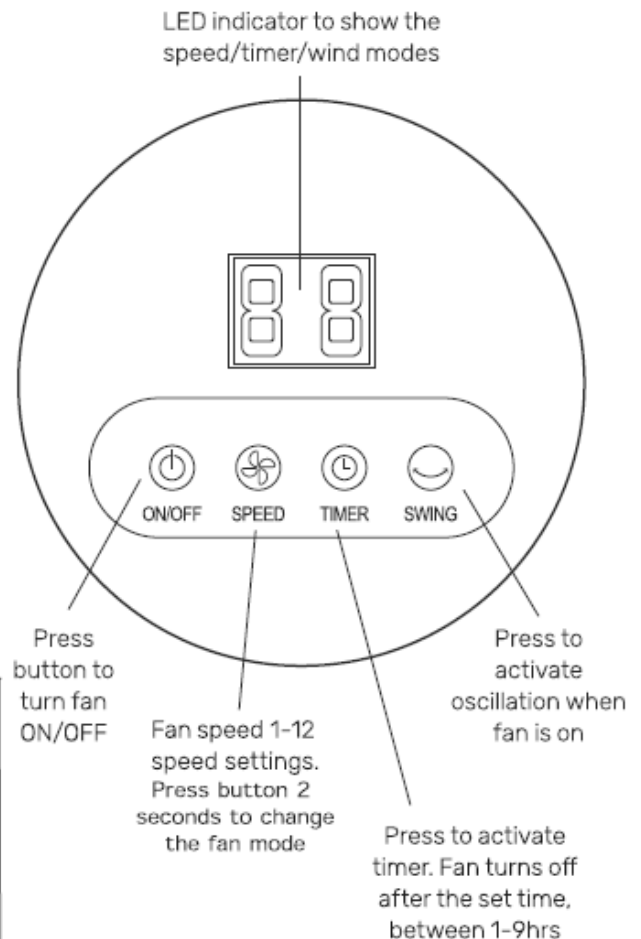
The fan assembly is now complete.



Operating the fan

The fan can be operated using the control panel on the unit, using the remote control or using the Smart Life app on your phone.

Operating the control panel



Operating the remote

Remove the protective film strip from remote to activate battery. If there is no battery, insert new one, CR2032.

To sync remote to the unit, turn the unit on. For 2 seconds push the timer and the swing

button together until you hear a beep sound. Then push the on/off button on the remote and it is now ready to use.

If it fails, the above steps may need to be repeated as sometimes the signal is not strong enough.

Operating the remote

Remove the protective film strip from remote to activate battery. If there is no battery, insert two new AAA-battery.

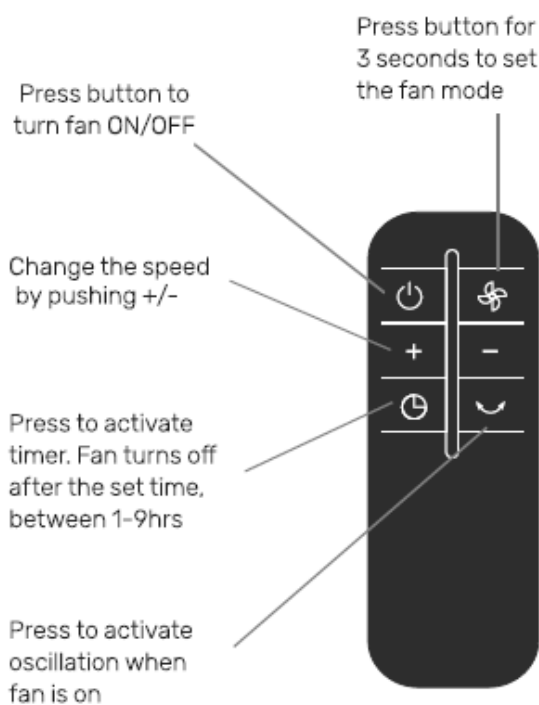
To sync remote to the unit, turn the unit on. For 3 seconds push the timer button until you hear a beep sound(display HS).

Then push any button quickly on the remote and push the on/off button,the fan turns on.It is now ready to use.

If it fails, the above steps may need to be repeated as sometimes the signal is not strong enough.

Modes: natural, normal, sleep

NOTE: modes can only be operated with remote control or app and on the unit itself.



Operating with WiFi

To pair the unit with your Wi-Fi please complete the following steps:

1. Download app

Download and install the app 'Smart Life' from the App store (iOS) or Play store (Android).

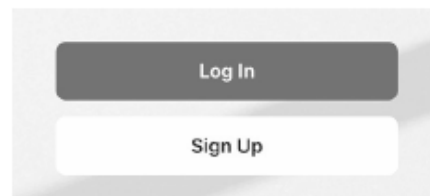


2. Create account or login

Create a new account if you are a new user. Follow the prompts to set-up and complete your account.

Login with your account details if you have an existing account.

NOTE: You must agree with the Privacy Policy in order to use the app.



3. Pairing a device

Turn on bluetooth and ensure you're connected to Wi-Fi 2.4Ghz.

Open the app and tap 'add device'



Operating with WiFi

Power on the fan and push on/off button for 5 seconds - you should see the fan appear on the app after hearing a beep.

Tap add fan device and follow the instructions to connect your Wi-Fi and fan device.

After connecting successfully you'll have the option to change the name of the device.

You can now operate the device using the app. A new page should now show in the app showing controls for operating the device.



If the above instructions do not work, check the following and retry steps another time.

1. Fan device is in close proximity to the Wi-Fi router.
2. Ensure the Wi-Fi network is 2.4GHz
3. The Wi-Fi password is correctly entered and the same Wi-Fi network is being used on the mobile device.
4. The fan device is in pairing mode.
5. Check your Wi-Fi for stable internet connection.

If it still isn't working, visit www.ismartlife.me for more information and troubleshooting guides. (See end of manual for basic troubleshooting assistance).

Operating the fan cont.

Oscillate

Oscillation can be easily managed using the control panel, remote or app.

The oscillation range is 90°

Adjustments: Vertical Tilt Adjustment

Grip the top and bottom of the grille firmly and tilt to the desired position. If you have difficulty adjusting the vertical tilt, loosen the tilt adjustment screw slightly to give you more flexibility and then re-tighten.

Adjustments: Height Adjustment

You can choose to install 3 or 2 sections of stand pole to change the height of the fan.

TROUBLESHOOTING

| | |
|--|---|
| <p>What can I do if pairing fails with my fan device?</p> | <ol style="list-style-type: none"> 1. Check to ensure your mobile device is connected to the 2.4GHz Wi-Fi network. Refer to below for how to check the Wi-Fi frequency. 2. Check password is correctly entered and the mobile is using the same Wi-Fi network. 3. Check the fan device is in pairing mode, the LED indicator should be rapidly blinking to indicate pairing mode. 4. Check the internet connection is stable and works by testing on a website. <p>If problems persist, please visit www.ismartlife.com or contact our service team for further assistance.</p> |
| <p>Does the fan device support 5GHz wireless connections;</p> | <p>No, 5GHz wireless connection is not currently available for the fan device.</p> |
| <p>How do I know if my network is under 2.4GHz Wi-Fi;</p> | <p>For iOS users:</p> <ol style="list-style-type: none"> 1. Go to your settings and tap Wi-Fi. The suffix of your Wi-Fi network should end in either 2.4G ή 5G. 2. If you still cannot determine if you are on a 2.4GHz network, you can obtain the information via your router. For more information on this process, you can consult your specific router's manufacturer or user manual for more details. <p>For Android users:</p> <ol style="list-style-type: none"> 1. Go to your settings and tap Wi-Fi. 2. Tap the connected Wi-Fi network and it will show the Wi-Fi frequency. |
| <p>When pairing, should my fan device or mobile be in the same room as the Wi-Fi router;</p> | <p>No, they do not need to be in the same room as long as they are connected to the same Wi-Fi network.</p> |
| <p>What if I forget my Smart Life app account password details;</p> | <p>If you forget your password, you'll have the opportunity to reset it by tapping "forgot password" and following the prompts to reset your password.</p> |

Wall Mounting - Drilling Diagram

Tear out this page to use as a drilling guide

