



www.colorato.net

INSTRUCTION MANUAL OF INFRARED HEATERS WITH CARBON HEATING LAMP



MODEL: CLHR-0015FC

Read carefully these instructions before using the appliance and
save them for future reference

1. Product Specifications

Generally:

- Rapid heating: heat lamp can be full started within 6 seconds.
- Efficiency: infrared heating lamp, can achieve the best heat effect.
- Lightweight body: aluminum shaped material, lightweight with high strength.
- Unique shape: fashionable, simple, compact and easy to use.
- Long life, no noise, safe and reliable.

1.1 With bracket for wall mounting, and send 10-15 % higher efficiency than a glass fronted heater of the same enclosure.

1.2 Can also be suspended from the ceiling or mounted on e.g. a parasol or a post.

Other mounting alternatives are available as accessories.

1.3 Equipped with a 1.5 meter cord with plug for connection to an earthed outlet socket.

1.4 Casing in anodized aluminum, grille in Nickel / Chrome plating, end caps in powder-coated light-alloy metal.

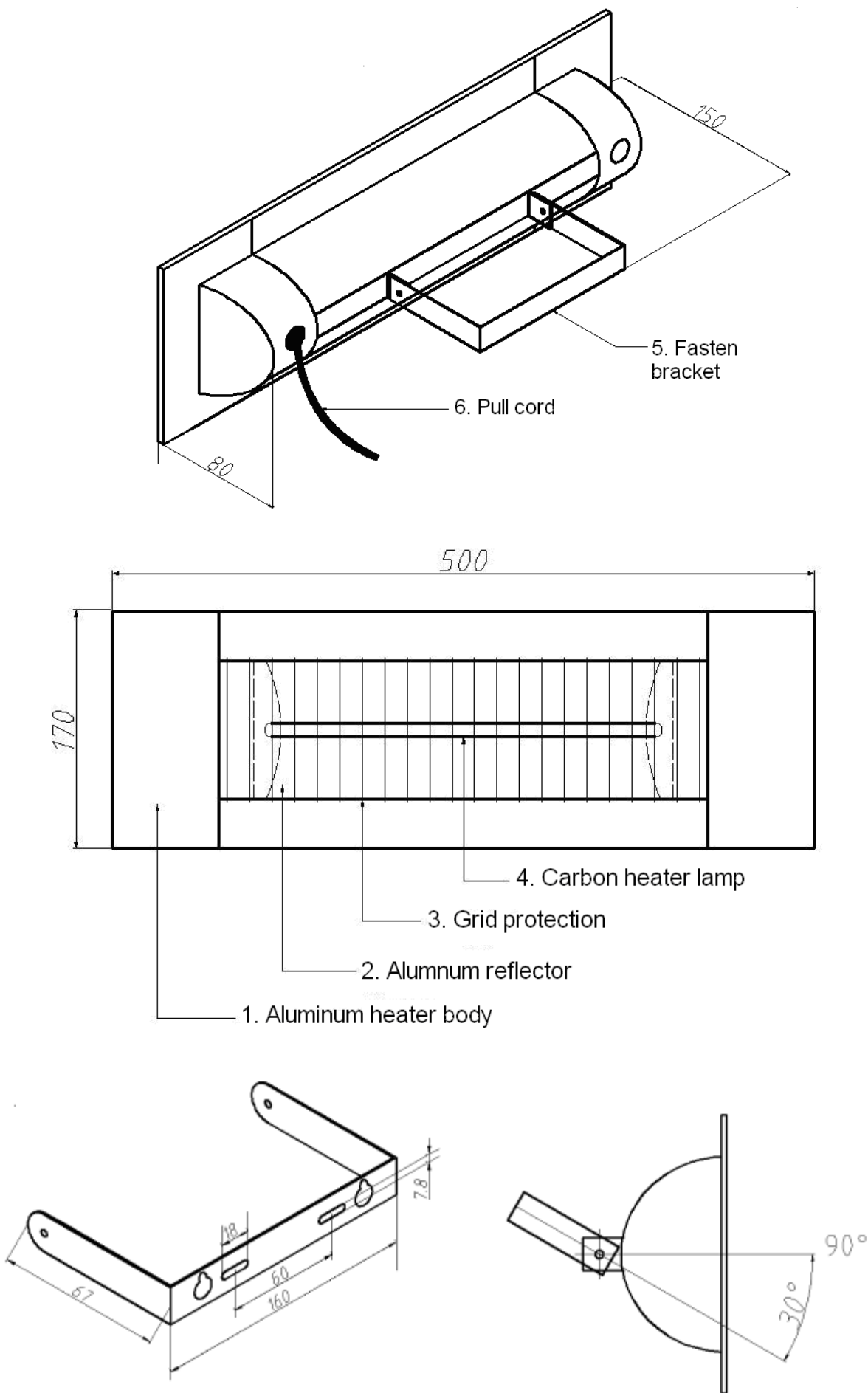
1.5 Infrared Heater Lamps Type:

- Golden Heater Lamp 1000W/1500W
- Ruby Heater Lamp 1000W/1500W
- Carbon Heater Lamp 1000W/1500W
- Low Glare Heater Lamp 1000W/1500W

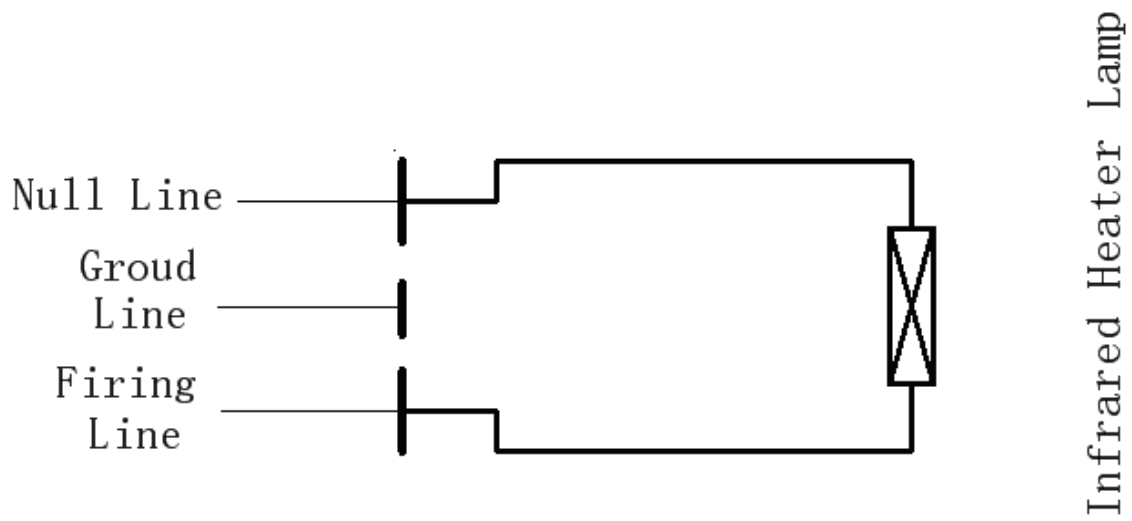
Technical specifications

Type	Heat output (W)	Voltage (V)	Amperage (A)	Max. filament Temperature (°C)	Dimensions LxHxW (mm)	Weight (KG)
Golden Ruby	1000	220-240	4.3	2200	500x77x169	1.9
Carbon Low Glare	1500	220-240	6.5	2200	500x77x169	1.9

2. Structure and Size:



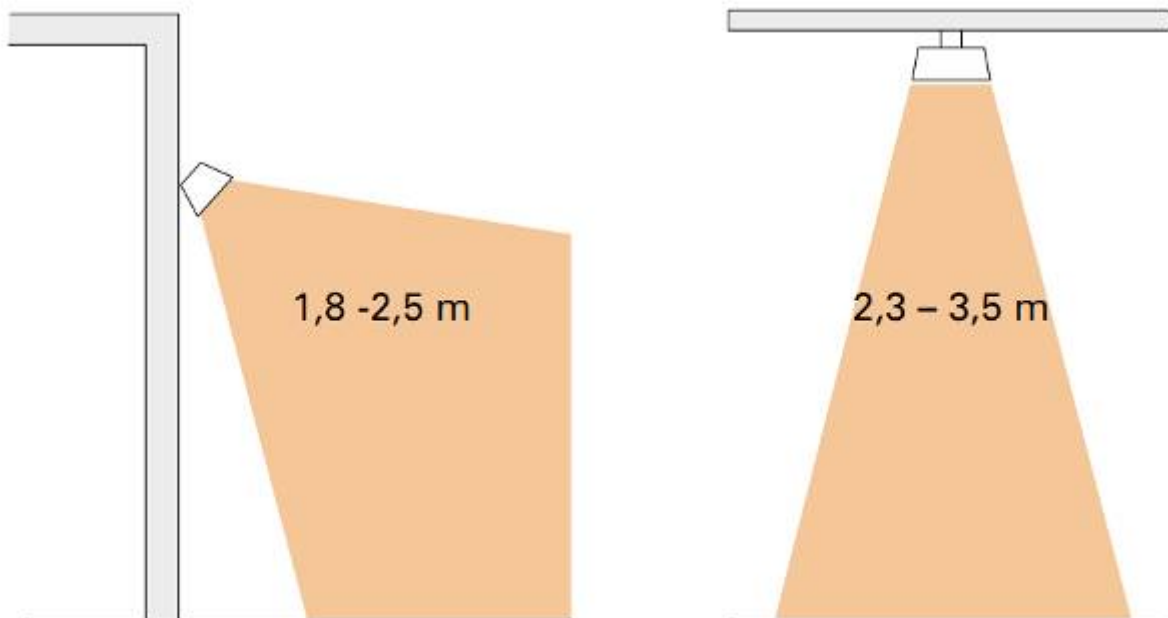
3. Schematic Circuit Diagram



4. Instruction

4.1 Installation Height

- provides wide heat distribution (60°), recommended installation height 1.8-2.5 m.
- provides directed heat distribution (40°), recommended installation height 2.3-3.5 m.



Design and specifications are subject to change without notice.

4.2 Installation Suggestion:

- Power 220-240V 50HZ/60HZ, maximum power 1500W.
- Effective heating area within 15 m².
- Sockets withstand current not less than 10A, with grounding protection.
- Power on, plug into socket, heater began to work, heating lamp emit heat.
- Power off, turn off the power, and pull out the plug.
- Optionally we offer extra the remote control socket CLRS-3600A, for activating the heater from a distance of 25 m. Maximum power 3600 W, waterproof protection IPx44. 1 socket + 1 remote control with 4 settings (one remote control can control up to 4 different sockets).

Warning

5.1 Please don't place the heater in an environment with flammable, explosive, corrosive materials.

5.2 Is forbidden to be covered.

5.3 Keep 50cm of space at least at the face of the heater, and 20cm space for side and back

5.4 Keep the body of heater clean, don't put anything on the heater.

5.5 Don't let children or disability man use alone.

5.6 When it uses, vibration is forbidden.

5.7 If broken happening for heater lamp part or pull cord, please timely switch off.

5.8 If the power line or heating lamp in abnormal situation, please shut off the power immediately.

5.9 When it works, due to high heat, don't touch it to avoid scalding.


6. Maintenance Method

- 6.1 Do not perform maintenance until the heater has been turn off and temperature cool down.
- 6.2 Do not clean heater with water directly, wipe off surface with dry or moist tool.
- 6.3 Replace damaged cable and spare lamp in time.

Assemble Parts

1. Heater body: 1 pc
2. Mounting bracket: 1 set
3. Hexagon socket screw $\varnothing 5 \times 8 \text{mm}$: 2pc
4. Hexagon socket screw $\varnothing 5 \times 10 \text{mm}$: 2pc
5. Flat washer $\varnothing 5 \text{mm}$: 4pc
6. Expansion Anchor Bolts $\varnothing 6 \text{mm}$: 3set

CE  ROHS

The symbol  on the product means that at the end of its life, the appliance has not to be considered a common waste. It is a special waste and has to be demolished in specific recovery and disposal area, as prescribed by the EC Directive 2002/96/EC (WEEE). By disposing this product correctly, you can avoid negative consequences for the environment and for the human health, due to the presence of potentially dangerous substances in the product.